

HOSHIZAKI

Series

KMD900MAH
Item # 13156
11/03

KMD-900MAH SERIES





KMD-900MAH
Air-Cooled

**KMD-900MAH Cuber
on a Lancer 44" Dispenser**

Lancer is a registered trademark of Lancer. Copyright-
2003 by Lancer. All rights reserved.

**ICEMAKER
DIMENSION**

Width x Depth x Height
KMD-900MAH
42 x 24^{5/8} x 28"

- Durable stainless steel exterior
- CycleSaver® design 
- EverCheck® alert system 
- Up to 875 lbs. of ice production per 24 hours
- Individual crescent cube
- Stainless steel evaporator
- Removable air filters
- Ice on beverage design



© HOSHIZAKI AMERICA, INC.

618 Hwy. 74 S., Peachtree City, GA30269

1-800-438-6087

FAX 1-800-345-1325

TEL 770-487-2331

www.hoshizaki.com



Reliability is a beautiful thing™

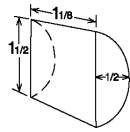
MODULAR CRESCENT ICE CUBER

KMD-900MAH SERIES

DIMENSIONS (Inches) - CONNECTIONS

MODULAR CRESCENT ICE CUBER

KMD-900MAH (AIR-COOLED)



■ Up to 875 lbs. of ice production per 24 hours



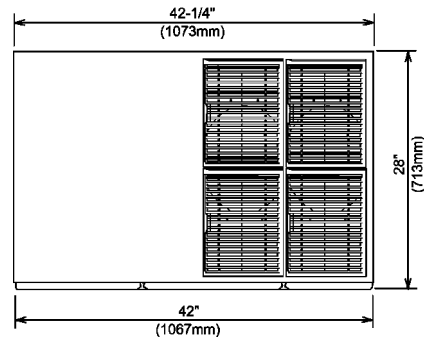
WARRANTY THREEYEAR - Parts & Labor on entire machine. FIVEYEAR - Parts & Labor on : Evaporator FIVEYEAR - Parts on: Compressor, Air-Cooled Condenser.	STAINLESS STEEL INTERNAL EVAPORATOR	SERVICE Panels easily removed and all components accessible for service. Removable/cleanable air filters.	Warranty valid in United States, Canada, Puerto Rico, & U.S. Territories. Contact Factory for Warranty in other Countries.
	R-404 REFRIGERANT		

OPERATING LIMITS Ambient Temp Range 45 - 100°F Water Temp Range 45 - 90°F Voltage Range 187 - 253V Water Pressure 20 - 145 psig	ELECTRICAL & PLUMBING 208-230/60/1 (3 wire with dedicated neutral for 115V) 20 amp Max Fuse/HACR Breaker Size 1/2" OD copper or equivalent independent potable water supply 3/4" independent drain connection 5/8" OD Pipe
--	---

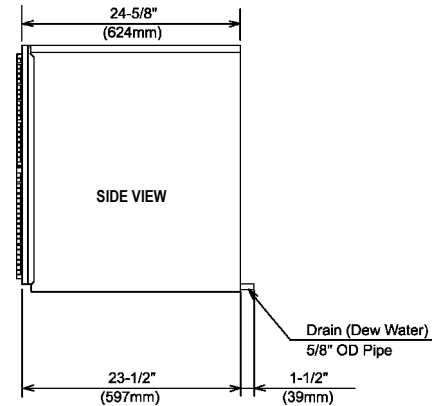
SPECIFICATIONS				
Model Number	Condenser	Amperage	Min. Circuit Ampacity	Shipping Weight
KMD-900MAH	Air-Cooled	15	15.5	278 lbs.

AIR - COOLED					
Water Temp ° F.	50°	70°	90°		
Air Temp ° F.	70°	875	842	767	
	80°	850	799	706	
	90°	842	763	676	

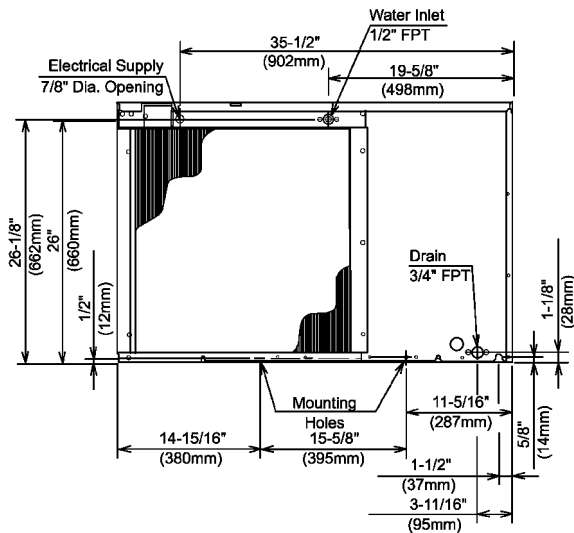
UTILITY CONSUMPTION					
Model Number	Ice Production Per Cycle		KWH per 100 LBS.	Potable Water Gal. per 100 lbs.	Condenser Water Gal. per 100 lbs.
	Lbs.	Cubes			
KMD-900MAH	9.6	624	6.3	34.7	NA



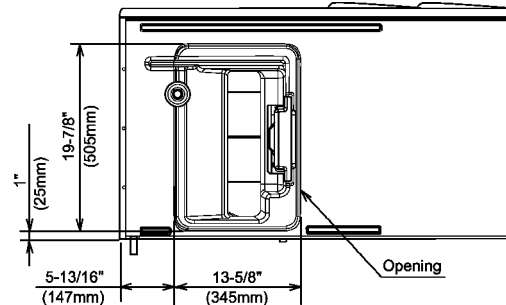
FRONT VIEW



SIDE VIEW



AIR-COOLED UNIT



ICEDROPZONE

© HOSHIZAKI AMERICA, INC. We reserve the right to change specifications without notice.

618 Hwy. 74 S., Peachtree City, GA30269

1-800-438-6087

FAX 1-800-345-1325

TEL 770-487-2331

www.hoshizaki.com

Printed in U.S.A.